

conference rooms, command centers, offices, hotels, teaching, studios...

NETLINK G2 Series Paperless Conference System

appointment before meeting, guidance and assistance during meeting, summary and export after meeting



meeting appointment



intelligent check-in



agenda view



vote/ballot



conference Services



meeting save



Overview



VIS-SERVER-E2S
Controller of Paperless Multimedia
Conference System

The controller of paperless multimedia conference system is installed with the server software of paperless multimedia conference system, it provides the GUI based on B/S architecture through the network. It can simultaneously manage multiple paperless multimedia conference rooms, and provides the functions including conference room reservation management, conference device management, personnel information upload, conference theme setting, role permission management, conference data upload, and post-conference data archiving.

Technical Parameters

Processor	Intel Core I7 CPU
Memory	DDR3 8G
Hard disks	1×128G 2.5" Solid State Drive (SSD) + 1×1T Hard Disk Drive (HDD)
Network ports	2× 10/100/1000 Mbps adaptive network ports, supporting remote wake-up
Video interfaces	1× VGA; 1× DVI; 1× HDMI
Audio interfaces	1个MIC in, 1个 Line out, 1个 Line in
I/O interfaces	3个COM (3个RS232) 6个USB(4个USB3.0,2个USB2.0), 1个PS/2
Operating environment	-10 C to 60 C, with 5%–95% humidity (non-condensing)
Power supply	100-220V AC
ESD	anti-electromagnetic interference for contact ESD (4 kV) and air-gap ESD (6 kV)
Vibration resistance	GB/T2423.10
Dimensions	1U
Net Weight	6.72KG



VIS-SERVER-E2
Controller of Paperless Multimedia
Conference System

The controller of paperless multimedia conference system is installed with the server software of paperless multimedia conference system, it provides the GUI based on B/S architecture through the network. It can simultaneously manage multiple paperless multimedia conference rooms, and provides the functions including conference room reservation management, conference device management, personnel information upload, conference theme setting, role permission management, conference data upload, and post-conference data archiving.

Technical Parameters

Processor	Intel Core I7 CPU
Memory	DDR3 8G
Hard disks	1×128G 2.5" Solid State Drive (SSD) + 1×1T Hard Disk Drive (HDD)
Network ports	2× 10/100/1000 Mbps adaptive network ports, supporting remote wake-up
Video interfaces	1× VGA; 1× DVI
Audio interfaces	1个MIC in, 1个 Line out, 1个 Line in
I/O interfaces	2个COM (2个RS232) 6个USB(2个USB3.0,4个USB2.0), 2个PS/2
Operating environment	-10 C to 60 C, with 5%–95% humidity (non-condensing)
Power supply	100-220V AC
ESD	anti-electromagnetic interference for contact ESD (4 kV) and air-gap ESD (6 kV)
Vibration resistance	GB/T2423.10
Dimensions	2U
Weight	9KG

Features



VIS-VIDSTMER
Streaming Server

The controller of paperless multimedia conference system, which is installed with the streaming server software of paperless conference multimedia system, is mainly used for collecting and encoding the input audio and video signals of external devices, and outputting audio and video signals of the paperless multimedia conference system.

Features

- The video collector and display processor are built in for inputting and outputting video signals.
- It has one HDMI input for connecting the video signals of external devices, and can distribute video signals to various conference terminals for display.
- It has one HDMI output, one DVI output, and one VGA output for outputting the video signals of paperless multimedia conference system to other systems. It can project the paperless multimedia conference content to screens.
- The audio input and output interfaces are configured to achieve synchronous input and output of audio and video signals.
- It has a video signal resolution of up to 3840 × 2160 Hz@30 Hz, which is downward compatible.

Technical Parameters

Processor	Intel Core I5 CPU
Memory	4G
Hard disks	1× 128 G 2.5" Solid State Drive (SSD)
Network ports	2× 10/100/1000 Mbps adaptive network ports, supporting remote wake-up
Video interfaces	Output: 1× VGA, 1× DVI, and 1× HDMI Input: 1× HDMI
Audio interfaces	1× MIC in, 1× Line out, and 1× Line in
I/O interfaces	2× COM interfaces (2× RS232 interfaces), 6× USB interfaces (2× USB 3.0 interfaces and 4× USB 2.0 interfaces), and 2× PS/2 interfaces
Operating environment	-10°C to 60°C, with 5%–95% humidity (non-condensing)
Power supply	100-220V AC
ESD	anti-electromagnetic interference for contact ESD (4 kV) and air-gap ESD (6 kV)
Vibration resistance	GB/T2423.10
Dimensions	2U
Weight	9KG



VIS-PJ100
Projection Controller

The controller of paperless multimedia conference system, which is installed with the streaming server software of paperless conference multimedia system, is mainly used for outputting audio and video signals of the paperless multimedia conference system.

Features

- The video processing card is built in for outputting video signals.
- It has one HDMI output, one DVI output, and one VGA output for outputting the video signals of paperless multimedia conference system to other systems. It can project the paperless multimedia conference content to screens.
- The audio output interface is configured to achieve synchronous output of audio and video signals.
- It has a video signal resolution of up to 1920 × 1080 Hz@60 Hz, which is downward compatible.

Technical Parameters

Processor	Intel Core I5 CPU
Memory	4 G
Hard disks	1× 128 G 2.5" Solid State Drive (SSD)
Network ports	2× 10/100/1000 Mbps adaptive network ports, supporting remote wake-up
Video interfaces	Output: 1× VGA, 1× DVI, and 1× HDMI
Audio interfaces	1× MIC in, 1× Line out, and 1× Line in
I/O interfaces	2× COM interfaces (2× RS232 interfaces), 6× USB interfaces (2× USB 3.0 interfaces and 4× USB 2.0 interfaces), and 2× PS/2 interfaces
Operating environment	-10°C to 60°C, with 5%–95% humidity (non-condensing)
Power supply	100–220 V AC
ESD	anti-electromagnetic interference for contact ESD (4 kV) and air-gap ESD (6 kV)
Vibration resistance	GB/T2423.10
Dimensions	2U
Weight	9KG

Features



VIS-DS200-I-P
Distributed Encoder

The distributed encoder for paperless multimedia conference system is mainly used for inputting audio and video signals to a paperless multimedia conference system or outputting video signals from a paperless multimedia conference system to distributed systems.

Features

- With the self-developed FIBER-NET two-way data transmission technology and distributed network architecture, if any node in the system fails, the other nodes can operate properly without being affected.
- Using the ultra-low power design, it supports dual power supply of PoE and power adapter, with the maximum power consumption not larger than 8 W. It has good heat dissipation performance and uses no-fan quiet design, ensuring no noise during operation.
- Using the high-performance H.265 video decoding technology, it is compatible with H.264 video decoding and supports 1080p60 frame output of HD video signals.
- It can adaptively collect video signals of different resolutions and encode them to achieve UHD visual effects to restore realistic image quality. The resolution can be up to 1080p 60 Hz.
- Automatic configuration recovery after power down and restart, and thus data loss can be avoided.
- Allow to online product upgrade for easy maintenance and management.
- The front panel has a display screen that can display the operating state and IP address.
- It has one HDMI input (supporting VGA and DVI access through the patch cord), one HDMI loop output, one 3.5 audio input, and one 3.5 audio output.
- It adapts to the HDMI1.3 standard and earlier, is compatible with the DVI1.0 standard, and supports the HDCP protocol.
- It supports advanced audio standards including AAC, G.711, and G.722, lossless audio encoding, and remixing input of HDMI audio and 3.5 stereo audio. It contains three audio modes: synchronization, asynchronization, and remixing. It also has multi-channel audio remixing playback, with lossless audio quality. You can set the volume or enable muting as required. Audio+video synchronization and individual screen display are also available for user.
- Interconnection with paperless multimedia conference systems is permitted, with a image delay of less than 100 milliseconds.

Technical Parameters

Processing capability	supported 720p–1080p, 60 frames
Encoding & decoding	H.264/H.265 video encoding and AAC-LC audio encoding
Video interface	1× HDMI1.4 IN, 1× HDMI2.0 OUT
Audio interface	1× 3.5 mm stereo audio input, 1× 3.5 mm stereo audio output
USB interfaces	3× USB 2.0, 1× USB 3.0
Network ports	1× RJ45, 10/100/1000Base-T, and POE
Optic port	1× SFP optical port
Serial port	1× RS-485, 1× RS-232



VIS-CLIENT100
Client

The client of paperless multimedia conference system is installed with the client software of paperless multimedia conference system. You can log in to the conference system from a client as needed. Different functional permissions are granted to different roles. The following permissions are provided: sign-in, agenda, viewing topics and documents, topic voting, camera tracking video of the addresser, speaking order list, on-demand live video, approval and saving of conference documents, uploading local or shared files, information communication, service application, viewing announcements, synchronous screen, following synchronous screen, conference projection, temporary permission management, and electronic nameplates.

Technical Parameters

Processor	Intel Core I5 CPU
Memory	4 G
Hard disks	1× 128 G 2.5" Solid State Drive (SSD)
Network ports	1× 10/100/1000 Mbps adaptive network ports, supporting remote wake-up
Video interfaces	output: 1× VGA, 1× HDMI
Audio interfaces	1× MIC in, 1× Line out supporting 5.1-channel
I/O interface	1× COM (1× RS232), 6× USBs (2× USB 3.0 and 4× USB 2.0)
Operating environment	0 C–50 C, with 5%–95% humidity (non-condensing)
Power supply	12 V DC Max.65W. The power adapter is used to provide power (110V–220V AC, 12 V/4 A DC output)
Dimensions	195Lx195Wx45H(mm)
Weight	1.25kg

Infrared port	1× IR IN, 1× IR OUT
I/O	1× I/O port
Indicators	LED indicators, power indicators, network indicators, and operation indicators
Power supply	12 V DC / PoE
Max Power consumption	8W
Operating environment	–10 C to +45 C (operating state), –10 C to +70 C (non-operating state), 10%–90% (operating state), non-condensing
Dimensions	212Lx128Wx43H(mm)
Weight	about 0.8 kg

Features



VIS-SWITCH24
Core Network Switch



VIS-15/17/21LSSC (LSSC-A with
integrated PC)
(15.6" /17.3" /21.5"Height-
Adjustable Touch Screen

Features

- It has a 19" reinforced rackmount chassis (1 U) with an aluminum alloy panel.
- External ports include 24 gigabit Ethernet ports and 2 gigabit Ethernet optical ports.
- It is equipped with the network port indicators to support network interface diagnosis, web GUI system settings, real-time monitoring and display of the temperature inside the chassis, and intelligent control of the fans.
- It supplies communication and serial port control of conference terminals, and supplies communication between the 1000 Mbps Ethernet and conference terminals. One device can be connected to not less than 24 terminals, and the terminals are connected to extended controllers through point-to-point wired connection.
- It provides dual 1000 Mbps Ethernet ports for connect the controller and cascade extended controllers. The network supports 1000/100 Mbps Ethernet.

Technical Parameters

Input power	110~220V AC
Packet forwarding rate	37.44Mpps
Network ports	24× 1000 Mbps Ethernet ports, 2× 1000 Mbps SFP
Packet forwarding cache	4.1M
Backplane bandwidth	52Gbps
Address table	4KMAC

This product uses advanced intelligent technology to achieve HD touch display, intelligent lifting, automatic elevation, intelligent control, and a compact and beautiful aluminum structure of integrated design. It provides functions such as automation, theft prevention, dust prevention, and desktop beautification. It can be widely applied in various scenarios including conferences, command centers, offices, hotels, teaching, and studios.

Features

- 15.6" /17.3"/21.5" height-adjustable display, IPS full view, screen ratio of 16:9, resolution of 1080p, dustproof and fingerprint-proof 10-point capacitive touch screen, sensitivity (≤ 2 oz), touch response time (≤ 3 ms).
- Integrated design of the display screen and touchscreen, the display glass features a curved edge design and ultra narrow black border (≤ 5 mm), Excellent color reproduction, no graying or detachment issues.
- Display screen integrated with lift mechanism, using ultra-narrow, ultra-thin finely sandblasted anodized panel. The panel thickness is only 3mm, with a width of just 70mm, minimizing desktop space while maintaining aesthetics.
- The device is designed with a low-voltage 12VDC circuit, free from internal 220VAC AC switch power. It utilizes external 12VDC power, eliminating the risk of leakage and ensuring safety and reliability.
- Panel buttons control five mechanical actions: raise, lower, stop, forward, and backward. The display automatically tilts up 15° after raising.
- Intelligent lift with automatic power on when raising, energy-saving auto power-off when lowering for safety.
- Integrated panel with power switch and retractable metal USB for secure connectivity, avoiding dust cover detachment. Allows file reading from a USB drive, local browsing, or server upload.
- Anti-obstacle and anti-pinch function. If obstacles block or fall into the device, it stops operation within a set time to prevent damage.
- The lift display supports HDMI and VGA signals simultaneously. It auto-recognizes a single signal and manually switches for dual signals. Enters power-saving mode with no signal.
- Panel button control and unified RF remote control are supported. The RS485 hand-in-hand structure is used to control the lifter movement state, such as upward, stop, and downward.
- Terminal host configuration: CPU: Intel Core i5 high-performance processor, Memory: 8GB DDR3, Storage: 128GB SSD solid state drive(LSSC-A supported).

Features



VIS-15/17/21LDSC(LDSC-A with integrated PC)
15.6" /17.3"/21.5" Height-Adjustable Touch Screen with Rear Screen

Overview

This product uses advanced intelligent technology to achieve HD touch display, intelligent lifting, automatic elevation, intelligent control, and a compact and beautiful aluminum structure of integrated design. It provides functions such as automation, theft prevention, dust prevention, and desktop beautification. It can be widely applied in various scenarios including conferences, command centers, offices, hotels, teaching, and studios.

Features

- 15.6" /17.3"/21.5"height-adjustable display, IPS full view, screen ratio of 16:9, resolution of 1080p, dustproof and fingerprint-proof 10-point capacitive touch screen, sensitivity (≤ 2 oz), touch response time (≤ 3 ms).
- Integrated design of the display screen and touchscreen, the display glass features a curved edge design and ultra narrow black border (≤ 5 mm), Excellent color reproduction, no graying or detachment issues.
- 10.1-inch rear display screen, utilizing IPS full-view technology, capable of showing attendee information such as name, position, and organization. It supports centralized backend modifications for displayed content, background color, custom background images, and font color.
- Display screen integrated with lift mechanism, using ultra-narrow, ultra-thin finely sandblasted anodized panel. The panel thickness is only 3mm, with a width of just 70mm, minimizing desktop space while maintaining aesthetics.
- The device is designed with a low-voltage 12VDC circuit, free from internal 220VAC AC switch power. It utilizes external 12VDC power, eliminating the risk of leakage and ensuring safety and reliability.
- Panel buttons control five mechanical actions: raise, lower, stop, forward, and backward. The display automatically tilts up 15° after raising.
- Intelligent lift with automatic power on when raising, energy saving auto power-off when lowering for safety.
- Integrated panel with power switch and retractable metal USB for secure connectivity, avoiding dust cover detachment. Allows file reading from a USB drive, local browsing, or server upload.
- Anti-obstacle and anti-pinch function. If obstacles block or fall into the device, it stops operation within a set time to prevent damage.
- The lift display supports HDMI and VGA signals simultaneously. It auto-recognizes a single signal and manually switches for dual signals. Enters power-saving mode with no signal.
- Panel button control and unified RF remote control are supported. The RS485 hand-in-hand structure is used to control the lifter movement state, such as upward, stop, and downward.
- Terminal host configuration: CPU: Intel Core i5 high performance processor, Memory: 8GB DDR3, Storage: 128GB SSD solid state drive(LDSC-A supported).

Features



VIS-15/17/21LSSCM(LSSCM-A with integrated PC)
15.6" /17.3"/21.5" Height-Adjustable Touch Screen With Lifting MIC

Overview

This product uses advanced intelligent technology to achieve HD touch display, intelligent lifting, automatic elevation, intelligent control, and a compact and beautiful aluminum structure of integrated design. It provides functions such as automation, theft prevention, dust prevention, and desktop beautification. It can be widely applied in various scenarios including conferences, command centers, offices, hotels, teaching, and studios.

Features

- 15.6" /17.3"/21.5"height-adjustable display, IPS full view, screen ratio of 16:9, resolution of 1080p, dustproof and fingerprint-proof 10-point capacitive touch screen, sensitivity (≤ 2 oz), touch response time (≤ 3 ms).
- Integrated design of the display screen and touchscreen, the display glass features a curved edge design and ultra narrow black border (≤ 5 mm), Excellent color reproduction, no graying or detachment issues.
- Display screen integrated with lift mechanism, using ultra-narrow, ultra-thin finely sandblasted anodized panel. The panel thickness is only 3mm, with a width of just 70mm, minimizing desktop space while maintaining aesthetics.
- The device is designed with a low-voltage 12VDC circuit, free from internal 220VAC AC switch power. It utilizes external 12VDC power, eliminating the risk of leakage and ensuring safety and reliability.
- Panel buttons control five mechanical actions: raise, lower, stop, forward, and backward. The display automatically tilts up 15° after raising.
- Intelligent lift with automatic power on when raising, energy saving auto power-off when lowering for safety.
- Integrated panel with power switch and retractable metal USB for secure connectivity, avoiding dust cover detachment. Allows file reading from a USB drive, local browsing, or server upload.
- Anti-obstacle and anti-pinch function. If obstacles block or fall into the device, it stops operation within a set time to prevent damage.
- The lift display supports HDMI and VGA signals simultaneously. It auto-recognizes a single signal and manually switches for dual signals. Enters power-saving mode with no signal.
- Panel button control and unified RF remote control are supported. The RS485 hand-in-hand structure is used to control the lifter movement state, such as upward, stop, and downward.
- Equipped with a separate lift for the microphone, featuring independent buttons for both raising and lowering.
- Built-in conference speaking unit, chairman unit with priority and speech buttons, utilizing standard CAT5e as the connecting cable, RJ45 connector, supporting independent adjustment of unit microphone sensitivity and 8-stage equalizer EQ.
- Equipped with 2 3.5mm speaker output ports, 1 RJ11 voting function module expansion port, 2 RJ45 cascade interfaces. It can expand embedded conference voting, interpretation, and speaker amplification modules.
- High-fidelity audio quality, lossless audio transmission technology, 48K audio sampling frequency, 20Hz~20KHz response frequency.
- Built-in microphone unit with hot-plug and auto-recovery functionality.
- Supports voice control mode, intelligently opens the microphone and sets the closing time. Adjustable voice sensitivity with customizable automatic shutdown time for inactive microphones, up to a maximum of 140 seconds. Settings can be configured through the conference host front panel menu or PC software.
- Terminal host configuration: CPU: Intel Core i5 high performance processor, Memory: 8GB DDR3, Storage: 128GB SSD solid state drive(LSSCM-A supported).

Features



VIS-15/17/21LDSCM(LDSCM-A with integrated PC)
15.6"/17.3"/21.5" Height-Adjustable Touch Screen with Rear Screen

Overview

This product uses advanced intelligent technology to achieve HD touch display, intelligent lifting, automatic elevation, intelligent control, and a compact and beautiful aluminum structure of integrated design. It provides functions such as automation, theft prevention, dust prevention, and desktop beautification. It can be widely applied in various scenarios including conferences, command centers, offices, hotels, teaching, and studios.

Features

- 15.6" /17.3"/21.5"height-adjustable display, IPS full view, screen ratio of 16:9, resolution of 1080p, dustproof and fingerprint-proof 10-point capacitive touch screen, sensitivity (≤ 2 oz), touch response time (≤ 3 ms).
- Integrated design of the display screen and touchscreen, the display glass features a curved edge design and ultra narrow black border (≤ 5 mm), Excellent color reproduction, no graying or detachment issues.
- 10.1-inch rear display screen, utilizing IPS full-view technology, capable of showing attendee information such as name, position, and organization. It supports centralized backend modifications for displayed content, background color, custom background images, and font color.
- Display screen integrated with lift mechanism, using ultra-narrow, ultra-thin finely sandblasted anodized panel. The panel thickness is only 3mm, with a width of just 70mm, minimizing desktop space while maintaining aesthetics.
- The device is designed with a low-voltage 12VDC circuit, free from internal 220VAC AC switch power. It utilizes external 12VDC power, eliminating the risk of leakage and ensuring safety and reliability.
- Panel buttons control five mechanical actions: raise, lower, stop, forward, and backward. The display automatically tilts up 15° after raising.
- Intelligent lift with automatic power on when raising, energy saving auto power-off when lowering for safety.
- Integrated panel with power switch and retractable metal USB for secure connectivity, avoiding dust cover detachment. Allows file reading from a USB drive, local browsing, or server upload.
- Anti-obstacle and anti-pinch function. If obstacles block or fall into the device, it stops operation within a set time to prevent damage.
- The lift display supports HDMI and VGA signals simultaneously. It auto-recognizes a single signal and manually switches for dual signals. Enters power-saving mode with no signal.
- Panel button control and unified RF remote control are supported. The RS485 hand-in-hand structure is used to control the lifter movement state, such as upward, stop, and downward.
- Equipped with a separate lift for the microphone, featuring independent buttons for both raising and lowering.
- Built-in conference speaking unit, chairman unit with priority and speech buttons, utilizing standard CAT5e as the connecting cable, RJ45 connector, supporting independent adjustment of unit microphone sensitivity and 8-stage equalizer EQ.
- Equipped with 2 3.5mm speaker output ports, 1 RJ11 voting function module expansion port, 2 RJ45 cascade interfaces. It can expand embedded conference voting, interpretation, and speaker amplification modules.
- High-fidelity audio quality, lossless audio transmission technology, 48K audio sampling frequency, 20Hz~20KHz response frequency.
- Built-in microphone unit with hot-plug and auto-recovery functionality.
- Supports voice control mode, intelligently opens the microphone and sets the closing time. Adjustable voice sensitivity with customizable automatic shutdown time for inactive microphones, up to a maximum of 140 seconds. Settings can be configured through the conference host front panel menu or PC software.
- Terminal host configuration: CPU: Intel Core i5 high performance processor, Memory: 8GB DDR3, Storage: 128GB SSD solid state drive(LDSCM-A supported).

Features



VIS-LS15/17/21DAD-F
15.6" /17.3"/21.5" Height-Adjustable Touch Screen With Array MIC

Overview

This product uses advanced intelligent technology to achieve HD touch display, intelligent lifting, automatic elevation, intelligent control, and a compact and beautiful aluminum structure of integrated design. It provides functions such as automation, theft prevention, dust prevention, and desktop beautification. It can be widely applied in various scenarios including conferences, command centers, offices, hotels, teaching, and studios.

Features

- 15.6" /17.3"/21.5" height-adjustable display, IPS full view, screen ratio of 16:9, resolution of 1080p, dustproof and fingerprint-proof 10-point capacitive touch screen, sensitivity (≤ 2 oz), touch response time (≤ 3 ms), ultra narrow black border (≤ 5 mm).
- Integrated design of the display screen and lifter, all-aluminum alloy architecture with CNC precision-processing, and using ultra-narrow and ultra-thin brushing panels. The desktop occupies small space, with beautiful appearance. The panel is 3 mm thick and 70 mm wide only.
- The panel buttons enables you to control five mechanical actions of the display: upward, downward, stop, forward, and backward. After the display ascends, the intelligent automatic elevation angle is 10° , and the maximum elevation angle manually controlled is 30° .
- The lifter has an intelligent limit switch, which implements automatic power-on when the display ascends and automatic power-off when the display descends, achieving energy-saving and environment protection.
- The panel is equipped with USB interfaces and dustproof covers. You can read files on USB flash drives for local browsing or uploading to the server.
- The height-adjustable display supports simultaneous input of HDMI signals and VGA signals. When there is only one signal input, the display automatically recognizes the signals. When both signals are input, you can manually switch between the two through the panel buttons. When there is no signal input, the display automatically enters energy-saving mode.
- The array microphone has an independent lifter, equipped with three buttons for independent lift, stop, and drop.
- The array microphone is raised and lowered in a hidden way to prevent dust and accidental water damage.
- Array microphone can be configured as chairman unit and delegate unit. The chairman unit has a priority button to turn off the delegate unit.
- The sound pickup distance of the array microphone is not less than 80 cm.
- Support unit microphone sensitivity and 8-band equalizer EQ independent adjustment.
- Adopt network technology, use standard CAT5e cable, RJ45 connector, convenient for standardized engineering wiring installation and later maintenance.
- The array microphone supports "Hand-in-Hand Loop Network" connection, and the failure of any line or microphone unit will not affect the normal operation of the system.
- High-fidelity sound quality, lossless audio transmission technology, 48K audio sampling frequency, 20 Hz to 20 KHz response frequency, built-in DSP howling suppression.
- Built-in microphone unit hot-swappable function, supports plug-and-play function, automatic recovery function.
- Support voice control mode, intelligently turn on the microphone and set the closing time, the voice control sensitivity can be adjusted, the automatic closing time of the non-speaking microphone can be adjusted, up to 140 seconds, which through the front panel menu of the conference controller or PC software.
- Panel button control and unified RF remote control are supported. The RS485 hand-in-hand structure is used to control the lifter movement state, such as upward, stop, and downward. Can control the screen and microphone to rise and fall at the same time or separately.
- Built-in dual power interfaces—one standard power input interface and one power loop output interface. They provide power for paperless conference terminals and reduce wiring.
- It is equipped with a detachable fail-safe device for the power supply to ensure safety and reliability, providing protection functions such as limit, electric leakage, overload, and current limiting.

Specification

LIFTER	VIS-15/17/21LSSC(-A)	VIS-15/17/21LDSC(-A)	VIS-15/17/21LSSCM(-A)	VIS-15/17/21LDSCM(-A)
Front Screen	Grade A 15.6"/17.3"/21.5" HD WVA ultra thin LCD			
Resolution	1920 × 1080P, aspect ratio of 16:9			
Touch screen	High-sensitivity capacitive screen, supporting ten-point touch			
Display screen auto-tilts intelligently	≤ 15°			
Backlight type	WLED, 15K hours, including the LED driver			
Contrast	600:1			
Brightness	300CD/m ²			
Visual angle	45/45/20/40(Typ.)			
Rear Screen	-	10.1 inches	-	10.1 inches
Resolution	-	1024*600P, ratio:16:9	-	1024*600P, ratio:16:9
Transmission method	Adopting a precision lifting system with a combination of linear guides and chain drive, driven by an AC geared motor			
Panel process	Aluminum CNC integral forming anodized brushed craftsmanship			
Panel functions	USB interface, up (screen tilted forward), stop, down (screen restoring to vertical state), signal switching, and device turned on/off			
Lift control mode	RF remote control within 30 m, manual control, RS232/485			
Chassis interfaces	Interfaces: DC12V power input/output *2, USB-B touch input *1, USB-A PC power switch *1, screen video input interfaces HDMI *1, VGA *1; Control interfaces: RJ45 *2 (RS-485/RS232 protocols supported)			
Environment conditions	Operating temperature: -10°C to 45°C, relative humidity: ≤ 80% (20±5°C)			
Motor	Lifting motor: 18 W, 5R/MIN, angle motor: 14 W, 5R/MIN			
Max Power	60W/96W			
Power supply	220 V AC, frequency of 50/60 Hz			
Product dimensions	422x70x553mm/458x70x553mm/560x70x603mm		555x70x683mm/555x70x683mm/675x70x723mm	
Product dimensions (-A)	422x70x683mm/448x70x683mm/560x70x723mm		555x70x683mm/555x70x683mm/675x70x723mm	
Panel size	422x70x3mm/458x70x3mm/560x70x3mm		555x70x3mm/555x70x3mm/675x70x3mm	
Panel size (-A)	422x70x3mm/458x70x3mm/560x70x3mm		555x70x3mm/555x70x3mm/675x70x3mm	
Chassis size	412x58x550mm/448x58x550mm/550x58x600mm		545x58x680mm/545x58x680mm/665x60x720mm	
Chassis hole size	414x60mm/450x60mm/550x60mm		547x60mm/547x60mm/667x62mm	
Panel counterbore size	423x71x3mm/459x71x3mm/561x71x3mm		556x71x3mm/556x71x3mm/676x71x3mm	
Overall weight	7.5kg(8kg)/8.5kg(9kg)/12.5kg(13kg) 8kg(8kg)/9kg(9kg)/13kg(13kg)		13kg(13.5kg)/15kg(15.5kg)/18.5kg(19kg) 13.5kg(14kg)/15kg(15.5kg)/19kg(19.5kg)	
Installation method	Embedded installation			
MICROPHONE				
Sound Pickup	-		Heart type capacitance	
Maximum power consumption	-		2.0W	
Frequency response	-		20Hz ~ 20kHz	
THD	-		<0.1%	
Dynamic range	-		> 94dB	
SNR	-		>96dB	
Nominal microphone input	-		>70dB SPL	
Maximum microphone input	-		>100dB SPL	
Sensitivity	-		-46 dBV/Pa	
Connection method	-		CAT5/CAT6 cable + RJ45 network port	

Note: The parameters may vary due to product upgrade. The actual parameters shall prevail.

Dimensional drawing

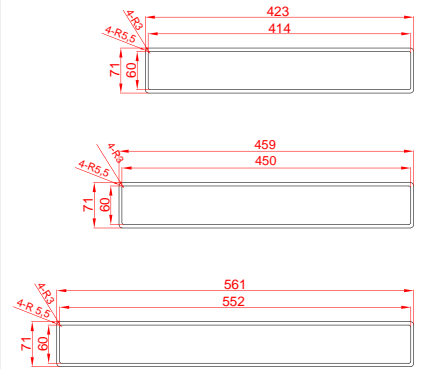
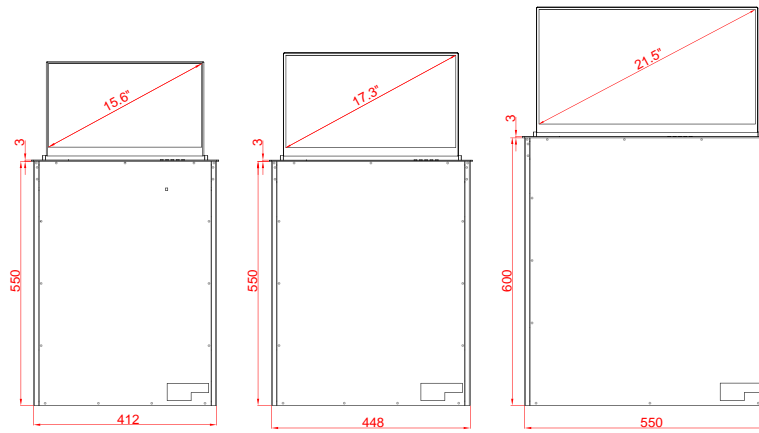
LIFTER

15.6"/17.3"/21.5" panel size

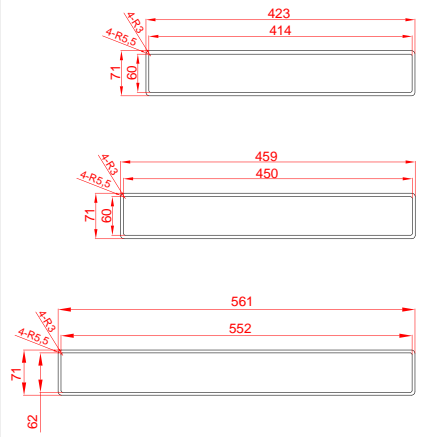
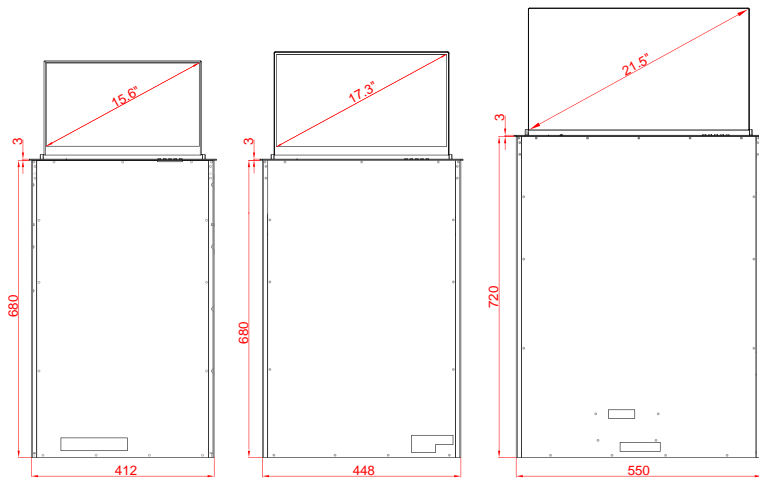
15.6"/17.3"/21.5" drill hole size



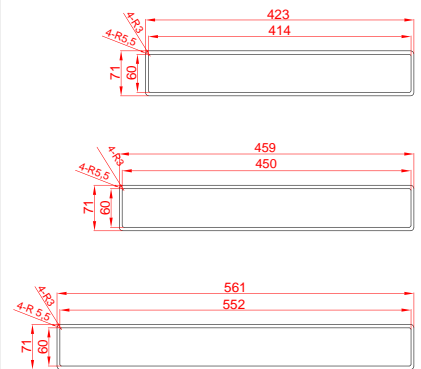
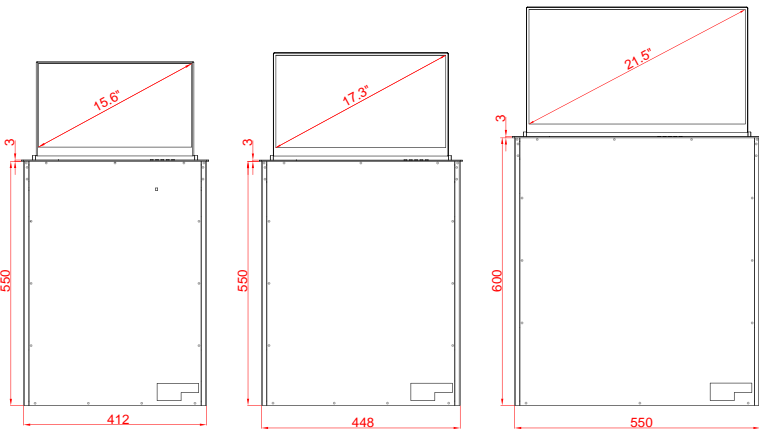
VIS-15/17/21LSSC
15/17/21lifting screen



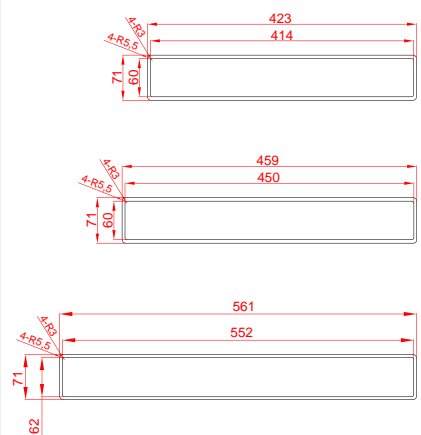
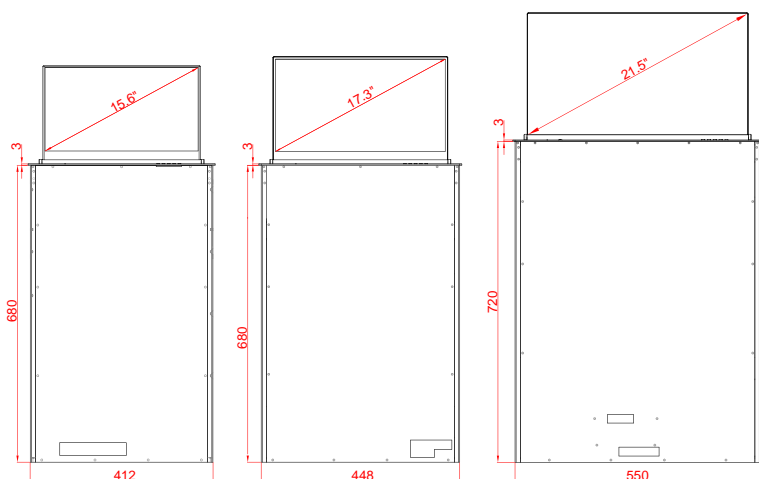
VIS-15/17/21LSSC-A
15/17/21lifting screen + integrated PC



VIS-15/17/21LDSC
15/17/21lifting screen with name display



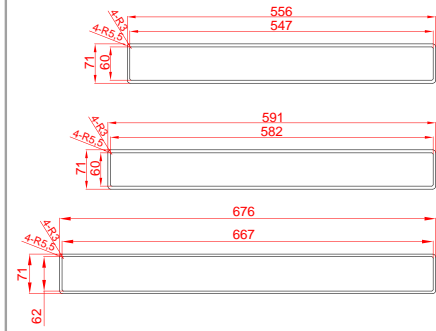
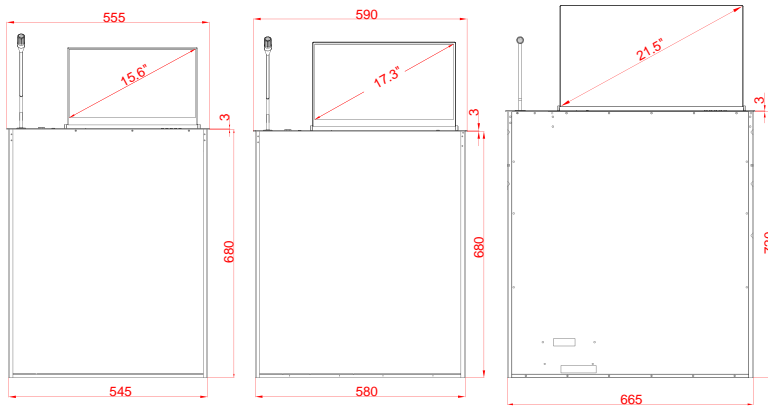
VIS-15/17/21LDSC-A
15/17/21lifting screen with name display + integrated PC



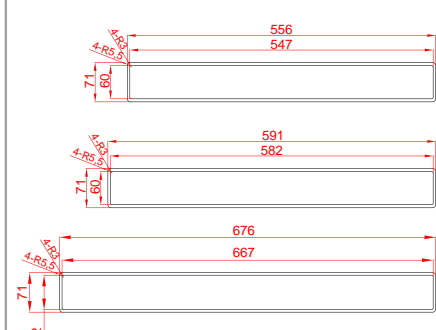
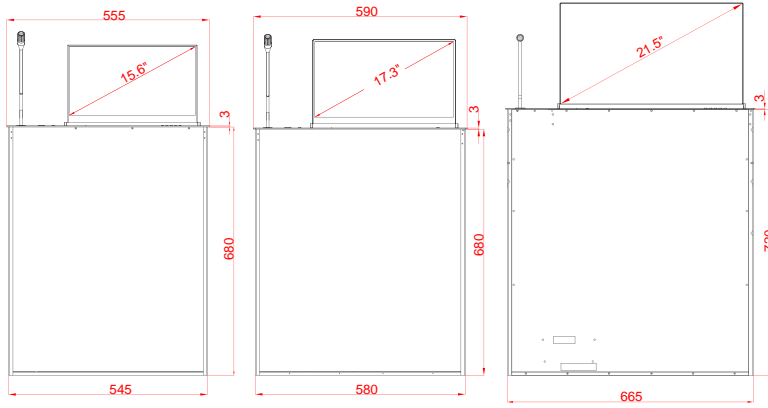
Dimensional drawing



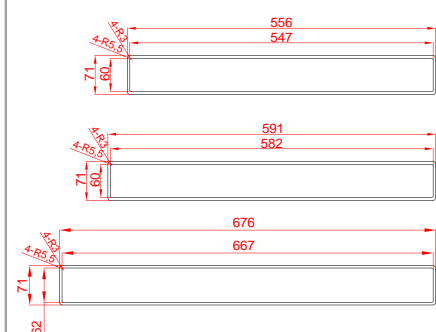
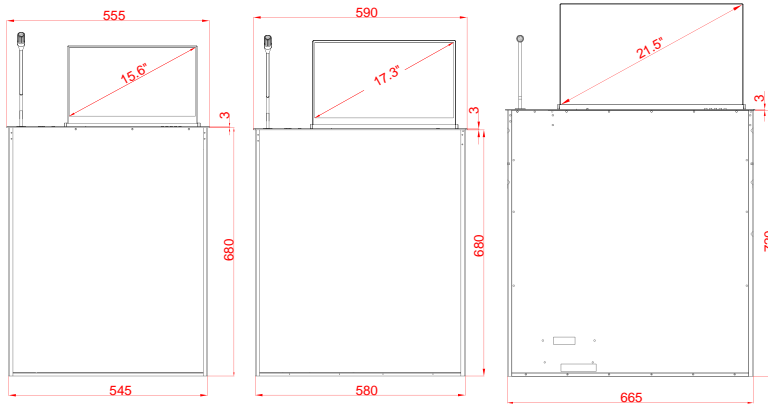
VIS-15/17/21LSSCM
15/17/21lifting screen with retractable microphone



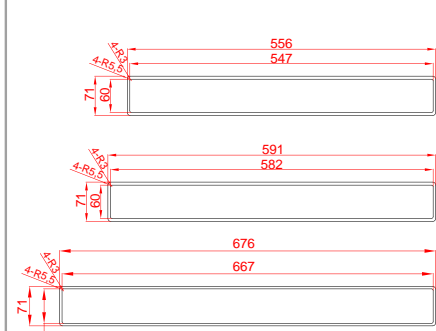
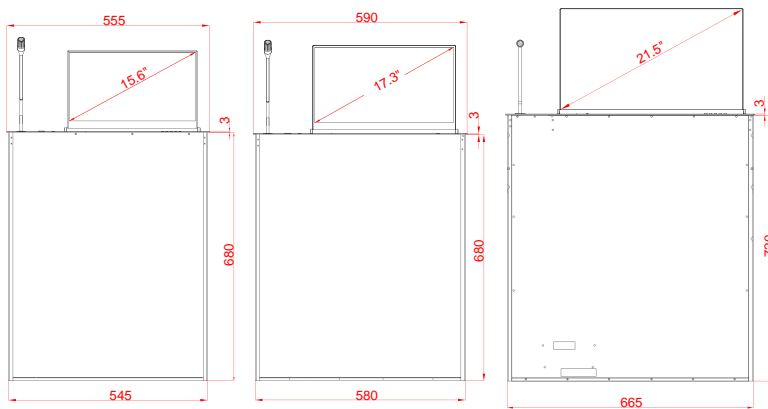
VIS-15/17/21LSSCM-A
15/17/21lifting screen with retractable microphone+ integrated PC



VIS-15/17/21LDSCM
15/17/21lifting screen with name display and retractable microphone



VIS-15/17/21LDSCM-A
15/17/21lifting screen with name display and retractable microphone+ integrated PC

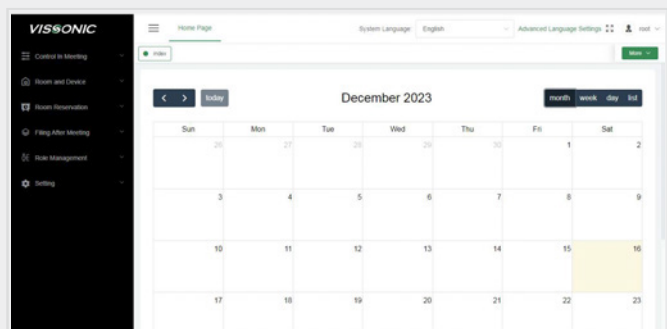


Specification

LIFTER		VIS-15/17/21DAD-F
LCD	Grade A 15.6"/ 17.3"/ 21.5" HD WVA ultra thin LCD	
Resolution	1920 × 1080P, aspect ratio of 16:9	
Touch screen	High-sensitivity capacitive screen, supporting ten-point touch	
Display screen tilt angle	≤ 30°	
Backlight type	WLED, 15K hours, including the LED driver	
Contrast	600:1	
Brightness	300CD/m ²	
Visual angle	45/45/20/40(Typ.)	
Transmission method	Combination of high-quality tensile belt, high-precision slider guide rail, and linear bearing, driven by the AC deceleration	
Panel process	Anodic oxidation brushing process for all-aluminum CNC unibody	
Panel functions	USB interface, up (screen tilted forward), stop, down (screen restoring to vertical state), signal switching, and device turned on/	
Lift control mode	RF remote control within 30 m, manual control, RS232/485	
Chassis interface	1× power input interface, 1× power loop output interface, 1× USB touch interface, 1× computer on/off USB port, 1× data interface, Video input interface: 1× HDMI, 1× VGA, Central control interface: 2× RJ45 interface (RS-485/RS-232 protocol supported).	
Microphone interface	2-meter connecting cable with RJ45 male head*1, supports three connection methods: hand-in-hand, splitter box hand-in-hand or dedicated POE switch connection.	
Array microphone pickup distance	≥ 80 cm	
Environment conditions	Operating temperature: -10°C to 45°C, relative humidity: ≤ 80% (20 ± 5 °C)	
Motor	Lifting motor: 18 W, 5R/MIN, angle motor: 14 W, 5R/MIN	
Power	25W	
Power supply	220 V AC, frequency of 50/60 Hz	
Product dimensions	430x160x565mm / 476x160x565mm / 582x167x650mm	
Panel size	430x160x5mm / 476x160x5mm / 582x167x5mm	
Chassis dimensions	413.2x148x560mm / 459.2x148x560mm / 557.2x155x645mm	
Chassis drill size	414.2x150mm / 460.2x150mm / 558.2x157mm(physical holes recommended)	
Panel counterbore size	431x161x5mm / 477x161x5mm / 583x168x5mm(L× W × T) (physical holes recommended)	
Overall weight	9.5KG / 10.5KG / 14KG	
Installation method	Embedded installation	
MICROPHONE		
MIC type	Electret condenser microphone array	
Directivity	Corridor type	
Number of MIC cores	17	
Frequency response	20Hz~20kHz	
MIC input impedance	2kΩ	
Sensitivity	≤-46dB (0dB=1V/pa, @1kHz)	
SNR	>70dB(A)	
Dynamic range	>80dB	
Maximum withstand sound pressure level	112 dB (THD ≤ 0.5%, @1 KHz)	
THD	<0.1%	
Follow the standard	IEC60914	

Note: The parameters may vary due to product upgrade. The actual parameters shall prevail.

Software



VIS-SERVOFT
Server and Reservation Software of Paperless
Multimedia Conference System

The server and reservation software of paperless multimedia conference system is installed on the server to achieve the following functions: pre-conference reservation, in-conference control, post-conference archiving, conference room and device management, paperless system monitoring and management.

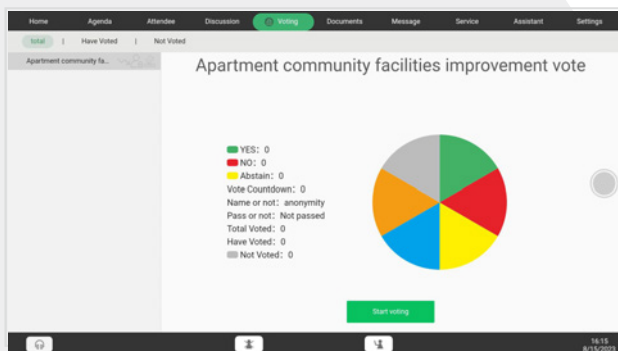
Features

- This software is based on C/S+B/S architecture. It supports reservation, control, file management, and system configuration of paperless multimedia conferences by computers or mobile phones of any operating systems after login through browsers within a local area network.
- You can log in to the client IP address as the administrator in Windows, Android, HarmonyOS, and other operating systems to monitor and manage the following information: conference themes, agendas, attendance, topics, voting, SMS, role permissions, service application responses, and conference announcements.
- For the same paperless multimedia conference system, the software provides management and reservation for multiple conference rooms.
- Allow you to customize role permissions and grant different permissions to different roles as required. The super administrator has the administration permissions on all conference rooms, including pre-conference, in-conference, and post-conference management, conference room and device management, system settings and monitoring. The conference room administrator has the administration permissions on a certain conference room.
- User management involves user names, role permissions, departments, positions, user profiles, phone numbers, emails, and other information. A user can be enabled or disabled as needed.
- Enables you to log in to the back end as conference administrator to create multiple conference rooms and then visually lay out the conference room seats.
- Device management: For the paperless conference rooms terminals, conveniently adjust display height individually or in groups, adjust microphone height, and perform power switch control.
- It has point-to-point and point-to-group text communication among attendees online. The conference administrator can send announcements to all attendees.
- Post-conference archiving: The approved documents, videos and images, topics, attendance, voting, and agenda of the conference can be archived completely.

Features

- Realizes the interconnection with a digital conference system through the IP network to control the microphone unit of the digital conference system. The control functions include turning on or turning off the microphone, setting the microphone speech mode, setting the maximum number of microphones enabled, generating the speaking order list, simultaneous interpretation, conference sign-in, conference voting, and data sharing and control with the paperless multimedia conference system.
- Nameplate management: Provides nameplate configuration for each seat, including font size, color, font, and background color of three lines of the text content, and other information such as work unit, department, name, and position.
- Streaming management: Streaming access and broadcast through cameras, distributed systems, video matrices, and voice-to-text servers. Programs can be previewed or viewed by the server software or on distributed conference terminals.
- Camera management: Include camera video stream access and camera tracking configuration.
- Projection management: Allows to set the projection content for each topic, edit images and text as needed, and project sign-in, voting, election, and rating data.
- MAC address management: Monitors the physical addresses of the conference terminals accessing the system and restricts the accessing devices, to improve the confidentiality and security of the system.
- Log management: Offers viewing and exporting user operation logs.
- Software update: Update the software on the conference terminals and mobile terminals through the web.
- Conference reservation: The menu function modules of the client are able to selected as needed, that is, unnecessary menu modules can be hidden.
- After a conference is created in conference reservation, it can be saved as a template. You can also save the information including attendees, seat arrangement, topics, agenda, and projection management as templates so that you can reserve conferences quickly next time based on the templates.
- It provides sign-in free and password sign-in mode for the paperless multimedia conference. The sign-in function can be performed at the back end in a unified manner, and the sign-in data can be projected on the screen. It is capable of configuring different hardware to achieve multiple sign-in modes, including login sign-in, signature sign-in, fingerprint sign-in, face sign-in, physical-button sign-in, and photography sign-in.
- Topics can be set as needed, including voting, election, rating, and custom topics. You can set the voting parameters, such as sign-in validity, first/last validity, signed/anonymity, voting time, and pass rate, for voting topics.
- Multiple levels of folders can be created as needed, and each folder can be managed with given permissions. Only the authorized attendees are allowed to view the files in the folders. Through insert a USB flash drive on a client to upload temporary files to the server for sharing is permitted.
- Agenda management: Sort the topics according to the conference agenda. The links of related documents are provided for easy viewing on the clients.
- Multiple projection contents can be set and switched based on the conference agenda, including default projection content, conference themes, and voting information.
- The mobile app can be installed on mobile devices of logistics. Therefore, without having to be at the conference venue, you can view service requests and communicate with the attendees through text and voice online.

Software



VIS-CLISOFT
Client Software of Paperless Multimedia
Conference System

The client software of paperless multimedia conference system provides functional permissions for different roles. To meet the requirements for high-end conferences such as National People's Congress and government and enterprise conferences, the following permissions are provided: sign-in, agenda, topics and documents, topic voting, speaking order list, camera tracking video of the addresser, on-demand live video, approval and saving of conference documents, uploading local or shared files, information communication, service application, viewing announcements, synchronous screen, following synchronous screen, conference projection, and temporary permission management.

Features

- Different permissions can be set for different conference roles. The moderator and delegates can be set as needed. The moderator can temporarily initiate quick voting, send announcements, manage delegate permissions, and manage service applications.
- Display the date with a clock on the home page. You can customize your logo and set the theme of each conference.
- The topic list of the conference is provided, displaying the time, title, and associated file names of the current topic. The associated files can be opened quickly by clicking the corresponding buttons.
- The attendance information includes the photo, name, and position of each seat and a sign-in confirmation button. The sign-in result is displayed in a bar chart or a pie chart. You can view the list of all attendees.
- The system provides the real-time discussion function to be compatible with the conference systems of the same brand. It can list the current speech and the waiting speech lists, display the camera tracking video of the addresser, and demand real-time video streams. A maximum of four video streams are supported.
- Vote: Voting and election are able to configured before conference as well as quick voting temporarily decided during the conference.
- Documentation: Provides conference document viewing, real-time annotation, and unified saving to the server, making it convenient for archiving and downloading after the conference. It also allow playing video and image files and importing local and shared documents from USB flash drives.
- Message: Selectable any attendee or group of the conference for online text or voice communication.
- Service request: Enables asking for tea, paper, pens, and on-site technical support.
- System settings: Include moderator conference management, language setting, individual adjustment of microphone EQ and sensitivity for the conference systems of the same brand, reading system date and time for synchronization, and software update.
- The moderator conference management function can publish conference announcements, view conference service application information, and manage delegate permissions. The permissions involve projecting to a screen, projection, annotation, synchronous screen state control, and projection state control.



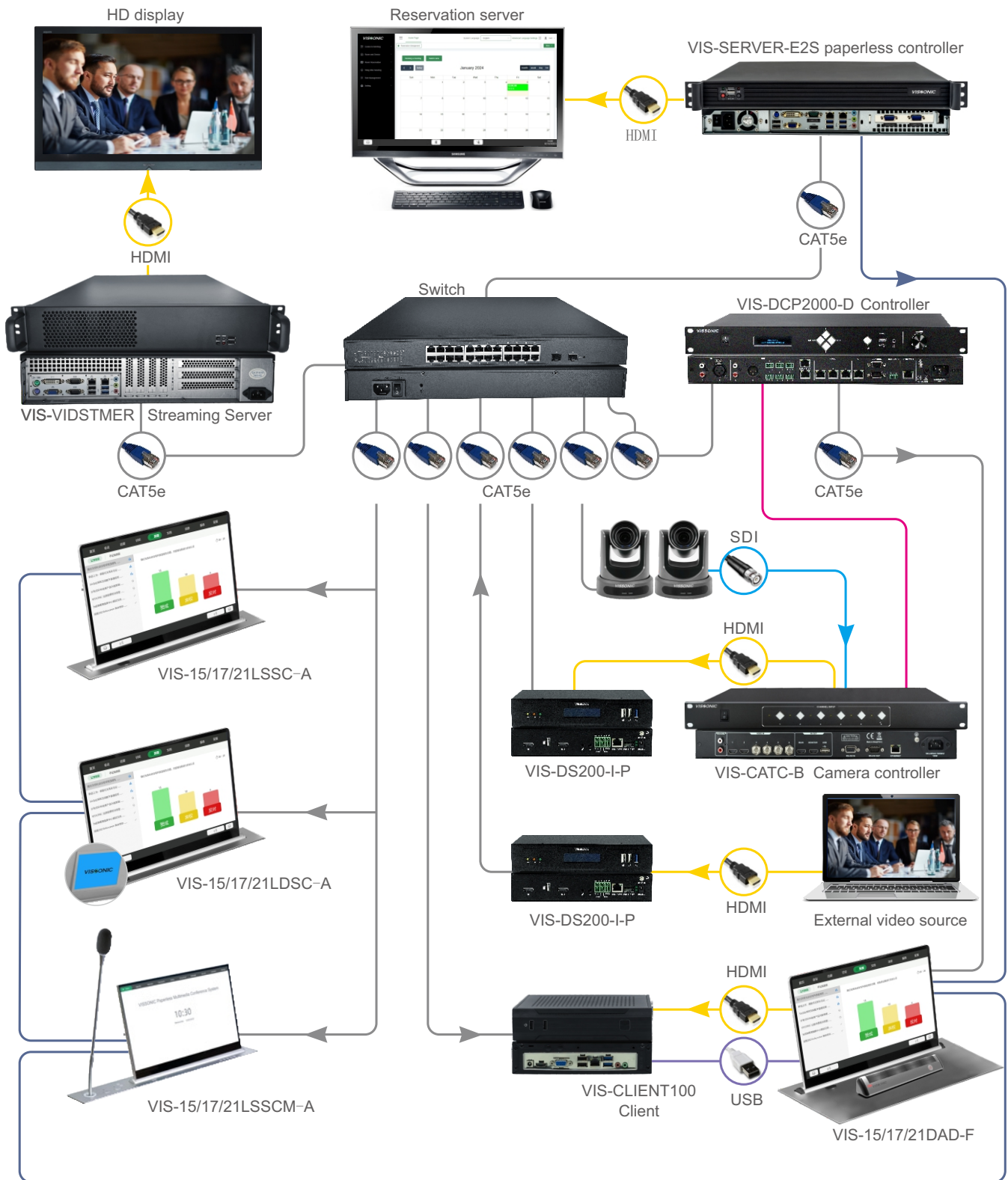
VIS-VSTSOFT
Embedded Software for Paperless
Streaming Codec

The streaming server software for paperless multimedia conference system is mainly used to input audio and video signals of external devices, output audio and video signals of paperless multimedia conference system, and project them to screens.

Features

- It projects the following conference information to a screen: theme, topics, sign-in, voting, scoring, and client content. It also displays the process of sign-in, voting, and scoring.
- The background of screen projection can be set, including background images and conference theme text. When screen projection is exited, no black screen is displayed.
- The paperless conference terminal projection function is implemented. The video signals of at most four paperless conference terminals can be projected to screens, and the audio signals of the clients are simultaneously be projected.
- It can collect 4K external video sources, convert them into video streams, and display them on paperless conference terminals.
- The big screen video matrix function is implemented. Multiple multimedia sources are supported, including video on demand, live video, external signals, synchronous screen signals, electronic whiteboards, and documents.
- Video resources can be viewed on demand on paperless conference terminals, and the viewed videos can be projected to screens.
- The voting data can be projected to screens. The voting process and results can be displayed on big screens in the form of text, bar chart, or pie chart.
- Three versions (Chinese, English, and Russian) are provided. User choose the version in accordance with the actual operating system.

System Diagram



■ CAT5e
 ■ RS-232
 ■ RS-485
 ■ USB
 ■ SDI
 ■ HDMI
 ■ VGA



VISSONIC ELECTRONICS LTD

Address: Guangzhou High-tech Industrial Development Zone,
 Guangzhou, Guangdong Province, China.
 Web: www.vissonic.com

VISSONIC
 Professional Audio/Visual Manufacturer